

Acadia

Model # 5916

Acadia 28in Tall Planter



DESCRIPTION

An ultramodern planter, the Acadia 28" Tall features a tapered style with a detailed base. Bring modern elegance to any space with the Acadia Planter Collection.

- Double wall design with water reservoir feature
- Manually fill up the self-watering reservoir directly
- Weather resistant, low maintenance material
- 100% high-grade polyethylene planter with UV inhibitors
- Warranty: 15-Yr Residential Use / 5-Yr Commercial Use

PRODUCT DIMENSIONS

Outside Dimensions: 15.9in L x 15.9in W x 28in H (40.3cm x 40.3cm x 71.1cm)

Inside Dimensions: 12.8in L x 12.8in W x 11.5in D (32.6cm x 32.6cm x 29.2cm)

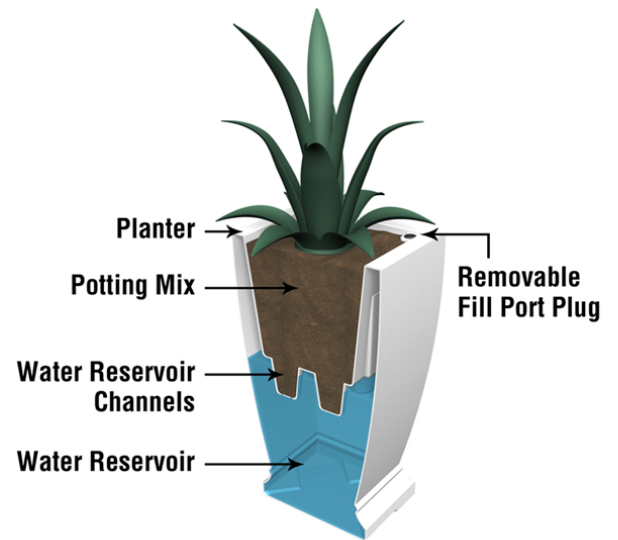
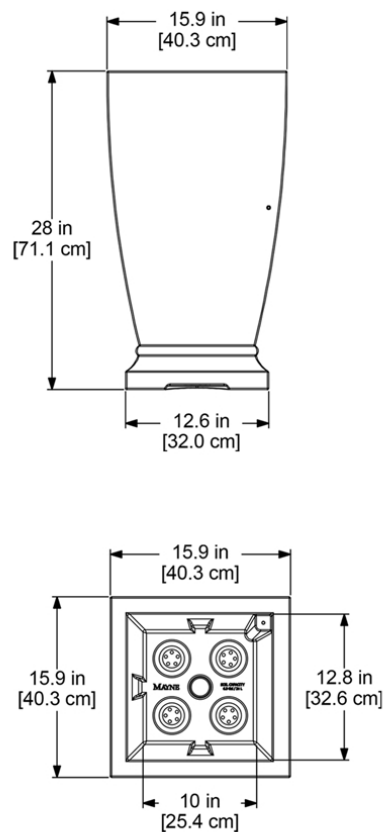
Soil Capacity: 6.3 Gallons (24 Liters)

Water Reservoir Capacity: 9.9 Gallons (37.5 Liters)

Wall Thickness: 0.14in (3.6mm)

Part Weight: 11.9lbs (5.4kg)

Material: Polyethylene



MAYNE[®]
Outdoor Products of Distinction

7024 Kilbourne Rd - Unit A London, ON N6P 1K6

Tel: 866-363-8834 | www.gomayne.com

customerservice@gomayne.com